



VCHSG10

User Manual



WARNING

IMPORTANT: Please read the following safety warning before using this product and take safety protection measures to avoid malfunctions caused by accidental operation of the instructions.

I. This appliance is not intended for use by persons (including children) with reduced physical, sensory or mental capabilities, or lack of experience and knowledge, unless they have been given supervision or instruction by a responsible person concerning use of the appliance to ensure that they can use it safely.

2. Suitable for dry locations only, do not use or store outdoors with wet surfaces. Do not handle any part of the plug or appliance with wet hands.

2. Do not allow to be used as a toy. Close attention is necessary when used by or near children. Children should be supervised to ensure that they do not play with the appliance.

3. Do not use a damaged cable or plug. If the device or charger does not work properly, dropped, damaged, missed or dropped into water, please contact Elinz after sales team to avoid hazard.

4. Do not vacuum flammable or combustible liquids, such as petrol, or use in areas where liquids may be present.

5. Turn off the power switch before plug or unplug the adopter.

6. Do not vacuum anything that is burning or smoking, such as cigarettes, matches or hot ashes.

7. Do not use without filters or dirt cups to avoid damaging the motor and contaminating the air. Wash your hands after using the vacuum cleaner.

8. FIRE WARNING-Do not place this product on or near a cooker or any other hot surface and do not incinerate this appliance even if it is severely damaged. The battery might catch fire or explode.

9. Unplug the charger from the power outlet before performing routine cleaning or maintenance.

II. Battery leaks may occur under extreme conditions. If any liquid gets on your skin, wash quickly with soap and water. If liquid gets into your eyes, rinse with water for at least 15 minutes immediately. Seek medical attention immediately.

12. Charge the unit with the charger we provided.

13. Avoid using this product to vacuum hard, sharp objects, as this may cause damage.

14. Store properly in a dry place indoors. Do not expose the machine to freezing temperatures.

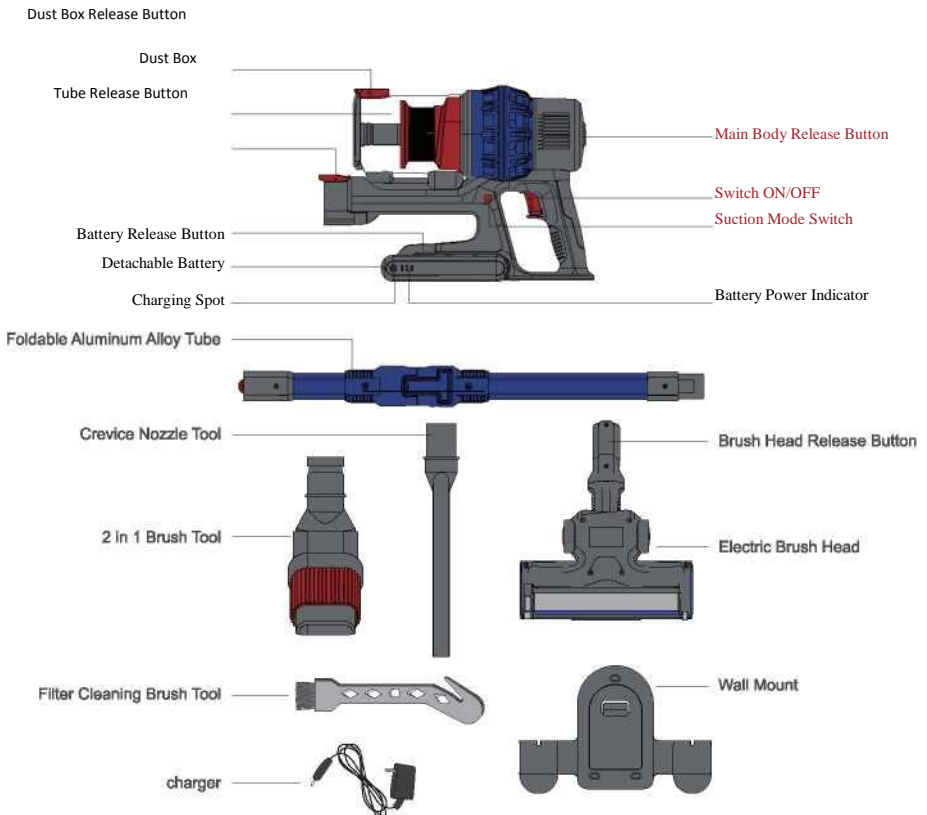
Note: The vacuum cleaner adopted thermal protection technology to prevent overheating, will stop working when the item is over-heated.

2. Package Content & Assembly

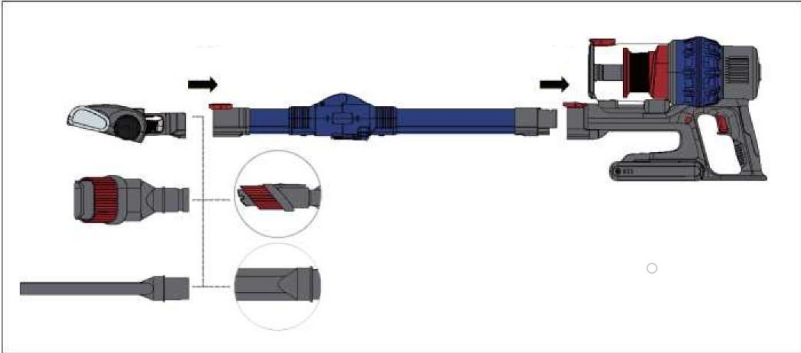
2.1 Package List

Part name	Quantity
Main Body	1
Foldable Aluminum Alloy Tube	1
Electric Brush Head	1
Crevice Nozzle	1
2 in 1 Brush Tool	1
Wall Mount	1
Charger	1
Dust Bin Cleaning Tool	1
User Manual	1

2.2 Accessories Introduction

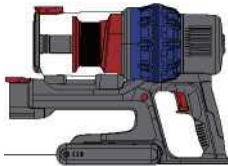


2.3 Product Assembly Diagram



3. Charging

3.1 Charging



BFOD Charging, low charged



Charging, medium charged



Charging, near fully charged

■ ■ ■ fully charged

3.2 Power Indicator

Attention: Please ensure that it is fully charged when using it for the first time. Please run out the battery power before first charge to extend the product life.



High level of charge



Medium level of charge



Low level of charge



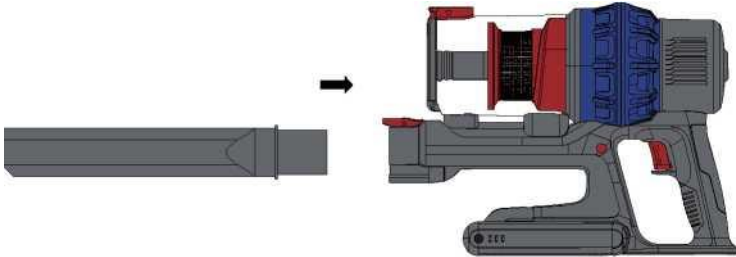
Empty and needs charging

4. Product Overview

4.1 Brush Introduction

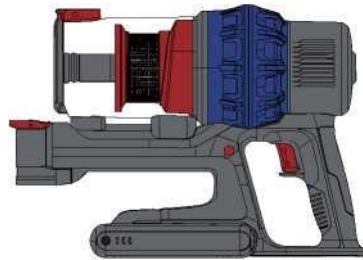
① Crevice Nozzle Tool

Remove dust on hard-to-reach area like window gap, bed feet, gaps between tables and chairs, etc.



② 2-in-1 Brush Tool

Remove dust and hair on carpets and fleece.



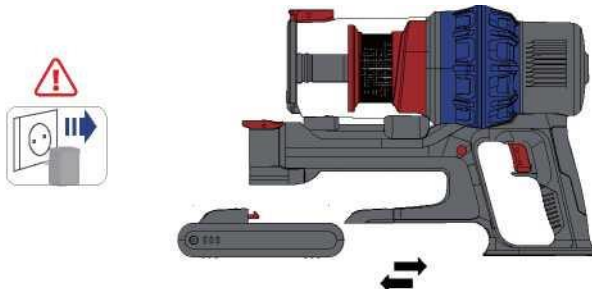
4.2 How to Use

4.2.1 Preparing

Please confirm if the vacuum is fully charged before using. Please charge it for more than 5 hours before the first use to ensure the normal operation of the product. Then select the appropriate brush head according to the area need to be cleaned, (check the "Brush Instructions")

4.2.2 Battery Installation and Removal

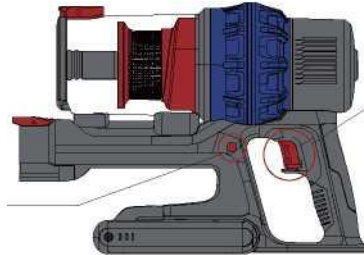
Press the release button and drag the battery to remove it. Press the release button and push the battery to install it.



4.2.3 Operating

Switch On/Off and Change Suction Mode

press the suction mode switch to switch suction mode.



Press the switch ON/OFF to turn on, the machine will start to operate in standard suction mode.
Press the switch ON/OFF again to turn off the vacuum.

4.2.4 Foldable Aluminum Alloy Tube

Press the button to fold the tube.

Bend the tube back to make it stand upright.



5. Maintenance

Please clean it regularly to prolong the service life of the vacuum cleaner. Wash the filter unit with cold water at least every month.

5.1 Main Body (hand-held, non-washable parts) Cleaning:

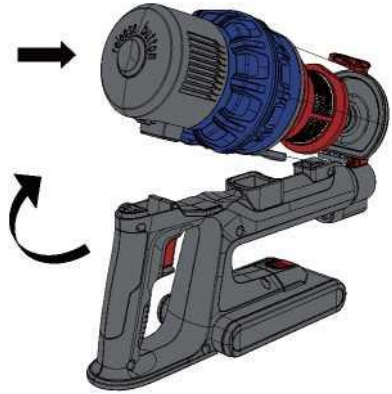
- (1) Turn off the power before cleaning the body
- (2) Please use a neutral detergent, wipe the body with half-wet cloth,
- (3) Please avoid sun exposure and store in a cool and dry place.

5.2 Dust Box Cleaning

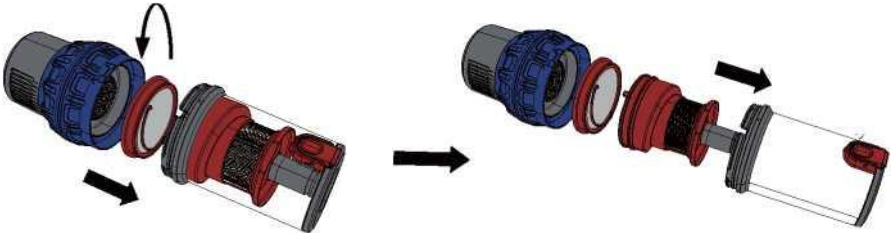
A. Press the release button to open the dust box lid, dump out the trash (as shown below in the picture)



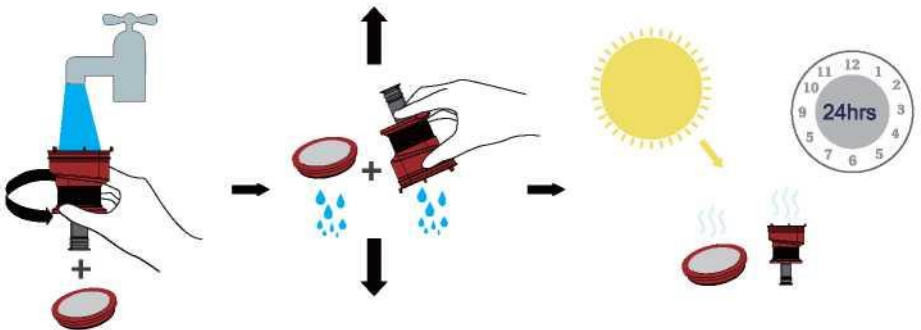
B. Press the main body release button to remove the main body.



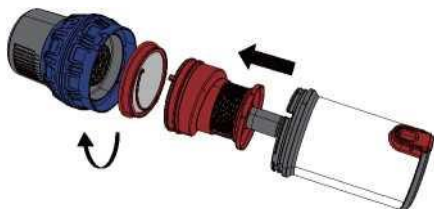
C. Twist the dust box anticlockwise to remove the dust box and take out the filter.



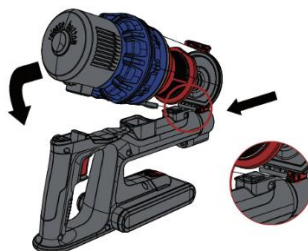
D. Clean the filter and dust box with or without water and dry it.



E. Install the filter in correct direction, make the buckles in right place and twist to fix it.

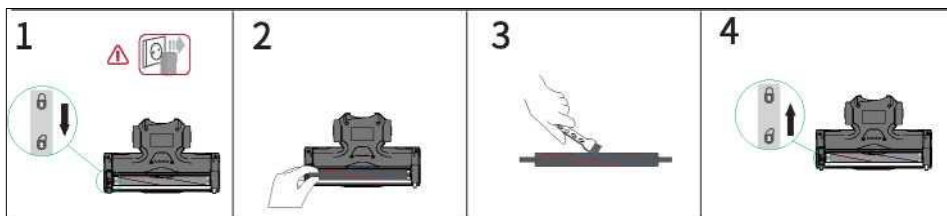


F. Install the main body. Put the hook into the hole, push the rear part and stop until hearing the sound of locking.



Ensure the appliance is disconnected from the charger before removing the brush roller. Be careful not to pull the ON trigger.

- (1) Twist the button counterclockwise and pull out the brush roller.
- (2) Tilt and shake to pour out the roller, use the brush cleaning tool to sweep away the trash on the roller.
- (3) The brush roller is washable. Before replacing, check that the brush roller is completely dry.



- (4) Push in and twist the button clockwise to install the brush roller.

6. Troubleshooting

Common trouble possible causes and solutions

Main unit not working	Low battery power	Charge the unit before use
	Suction inlet blocked	Remove blockage in suction inlet
Weak suction	Dust bin or filters blocked with dust	Remove the dust inside the bin or filters
	Rolling brushed is jammed with hair or long straps	Remove hair or long straps from rolling brush