



Contact-free,
inductive effluent



0.25 second
rapid induction



Effective bacteriostasis,
fresh and mild



330 ml large
capacity bottle body



ABS Environmental
Protection Material



Long-term work, energy
saving and power saving

ELINZ™

Automatic Soap Dispenser User Manual

www.elinz.com.au / sales@elinz.com.au / 1300 881 773

SAFETY

READ ALL INSTRUCTIONS. KEEP FOR FUTURE REFERENCE. INCLUDE ALL DOCUMENTATION WHEN PASSING THIS PRODUCT ON TO OTHERS. Failure to observe the following warnings may result in fatal or serious injuries.

Never leave children unsupervised with the packaging material. The packaging material poses a suffocation hazard. Children frequently underestimate the dangers. Always keep children away from the packaging material. This product is not intended for use by persons (including children) with reduced physical, sensory or mental capabilities, or lack of experience and knowledge, unless they have been given supervision or instruction concerning use of the product by a person responsible for their safety. Children should be supervised to ensure they do not play with the product.

FOR HOUSEHOLD USE ONLY. Changes or modifications to this product not expressly approved by the party responsible for compliance could void the user's authority to operate the product. Failure to observe the following warnings may result in injuries or property damage. Never take the product apart. Incorrect repairs may result in serious dangers to the user. Repairs should only be performed by a professional. Do not immerse this product in water or other liquids! Do not use the product if it is damaged. Routinely inspect the product. Keep the product dry. Protect your product from impact, moisture, dust, chemicals and sudden changes in temperature and keep it away from sources of heat (ovens, heating radiators). Remove the battery if the product breaks or is defective. Otherwise the battery is more likely to leak. Only fill the product with liquid soap. Do not subject the product to any extreme temperatures or severe mechanical stress. The product may otherwise be damaged.

SAFETY INSTRUCTIONS FOR BATTERIES

Keep batteries / rechargeable batteries out of reach of children.

If accidentally swallowed seek immediate medical attention.

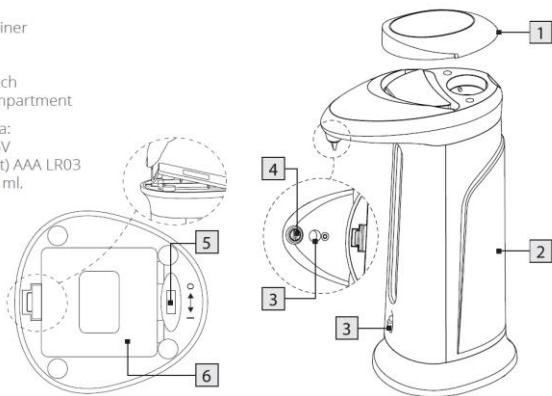
Never recharge disposable batteries. Do not short circuit the cells or batteries.

Store cells and batteries in their original packaging and away from metal objects which may short-circuit them.

PARTS DESCRIPTION

1. Lid
2. Soap container
3. Sensor
4. Spout
5. On/Off switch
6. Battery compartment

Technical Data:
Battery: 4x1.5V
(direct current) AAA LR03
Capacity: 330 ml.



Soap and batteries not included.

OPERATION

1. Make sure the soap container is empty and the ON / OFF switch in the OFF position.
2. Be sure to install the batteries the correct way (polarity).
3. Fill the soap container with soap up to the Max mark. Make sure soap does not get into the battery compartment or inside the product. This could damage the product.
4. Reattach the cover and close tight.
5. Slide the ON / OFF switch to the "I" (ON) position to turn the product on.
6. Place the product on a solid, level and non-slip surface.
7. Put your hand under the sensor and spout to dispense soap into your hand.

Note: A white status light will turn on in the soap container while dispensing soap. As soon as you remove your hand the status light will automatically go off.

(For first time use, repeat this process several times until the soap begins to dispense)

CLEANING AND MAINTENANCE

- Clean the appliance with a damp cloth. Never use harsh and abrasive cleaners or steel wool, which may cause damage to the device.
- Never immerse the electrical device in water or any other liquid. The device is not dishwasher proof.

TROUBLESHOOTING

If Dispenser Doesn't Work

1. Make sure the batteries are placed in the battery compartment correctly and that they are fresh.
2. Check that the On/Off switch has been switched to "On" position.

If Soap is not Dispensed

1. If this is the first use of the dispenser, place your hand under the sensor (within 0~2.75 in) several times until the soap begins to flow out of the spout.
2. The liquid soap could become congealed in the spout or dispensing tube due to lack of use of the dispenser or cold/dry weather. If that is the case, pour out any soap remaining in the container, fill the container with warm soapy water and then operate the dispenser several times until the water begins to dispense from the spout. Pour out any remaining soapy water and refill the container with liquid soap.

Specifications

Capacity: 330 ml

Material: ABS environmentally friendly material

Sensor Range: < 10 cm

Battery: 4x AAA Batteries (not included)

Product Weight: 240g

Size: 19.5*12*9.2 cm

Suitable for hand sanitizer, hand liquid soap, dishwashing liquid soap or hand body lotion

GUIDELINES FOR PROTECTION OF THE ENVIRONMENT



This appliance should not be put into the domestic garbage at the end of its durability, but must be taken to a central point for the recycling of electric and electronic domestic appliances. This symbol on the appliance, instruction manual and packaging puts your attention to this important issue. The materials used in this appliance can be recycled. By recycling used domestic appliances you contribute to foment the protection of our environment. Ask your local authorities for information regarding the point of collection.