

QUICK TOUR

Accurate Tracking | Power standby



Please carefully read the user guide before use in order to quickly get the right to operate. Product appearance, color and accessories are subject to change without prior notice in this manual!

1,Functions and Product parameters

- ◆ Real-time tracking
- ◆ Vibration/Displacement/Low battery/Power off/over speed alert
- ◆ Main power cut off alert ◆ ACC detection ◆ Geo-fence
- ◆ History Route ◆ Cut and resume oil remotely ◆ AGPS locating

2,Products list

| number | products name | count | remark |
|--------|------------------|-------|-----------------------|
| 1 | Device | 1 | |
| 2 | relay | 1 | |
| 3 | oil break line | 1 | Connection line 150mm |
| 4 | Power line | 1 | 1.0m |
| 5 | Operation manual | 1 | |

3,Spe.

| | |
|-----------------------|---|
| Frequency | ①North America Version: LTE B2/B4/B12 etc;WCDMA :B2/B5 |
| | ②Euro Version:LTE-FDD:B1 B3 B5 B7 B8 B20 LTE-TDD:B38 B40 B41 ;WCDMA:B1 B2 B5 B8 GSM:850/900/1800/1900MHZ |
| | ③South American version:LTE-FDD:B1 B2 B3 B4 B5 B7 B8 B28 LTE-TDD:B40;WCDMA:B1 B2 B5 B8 GSM:850/900/1800/1900MHZ |
| | |
| Networks | 4G /3G |
| Backup Battery | 3.7V 200mAh polymer battery |
| Operating voltage | 9-100V |
| Location time | Cold start 35s-80s |
| | Hot start 1s |
| Location accuracy | 5 meters |
| Operating temperature | -20℃~+55℃ |
| Dimension | 84*44*16mm |
| Weight | 50.6g |

4, Device enabling and wiring.

LED Indicator Definition

Green Indicator: LTE

| Status of indicator | Meaning |
|-------------------------------|----------------------------|
| Flash | LTE conversation start |
| Continuously in bright status | No LTE signal |
| Green Led off | Power off or in sleep mode |

Blue Indicator: GPS

| Status of indicator | Meaning |
|-------------------------------|----------------------------|
| Flash | GPS location successful |
| Continuously in bright status | GPS signal searching |
| Blue led off | Power off or in sleep mode |

Red Indicator: Power charge

| Status of indicator | Meaning |
|-------------------------------|---------------------------|
| Continuously in bright status | charging |
| Red led off | Power off or charged full |

NOTE: When the equipment in power saving sleep mode, the light will turn off after about 10 minutes(settable) without any operation.

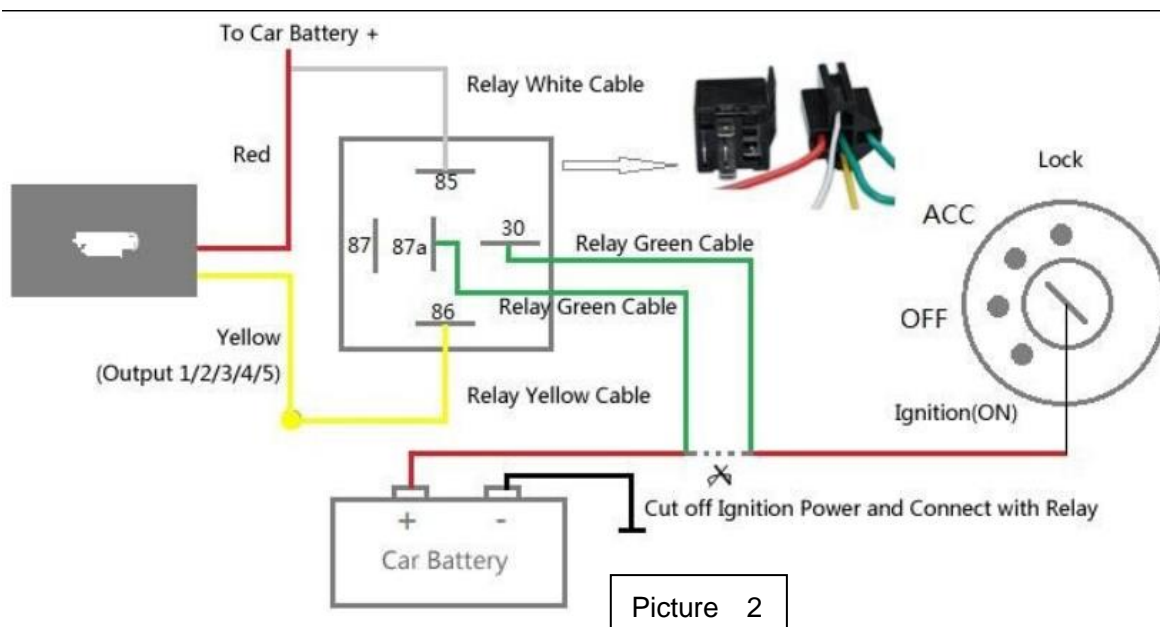
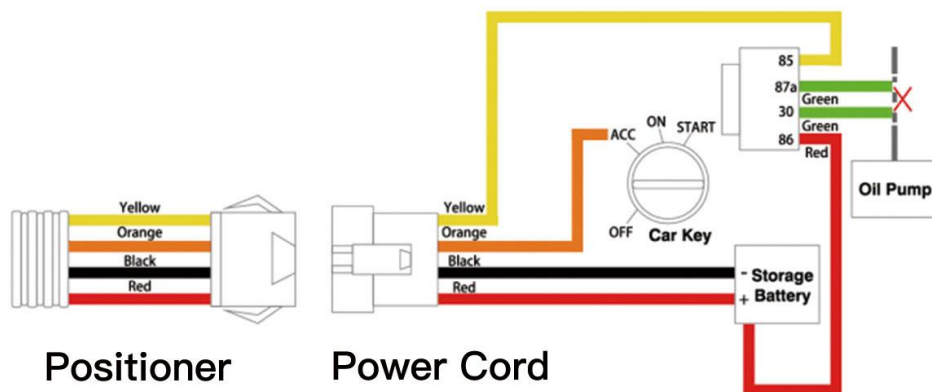
4.1.1 Locate the area shown below and open the top cover.



4.1.2 Put in SIM card the support 4G signal



4.1.6 Schematic diagram of wiring principle



Turn on the unit outdoors by Pushing the button to“On”the indicator is on.(when the green light and blue light are both flashing , you can do setting command by step)

a, Open the rubber plug, Insert a mini SIM card support WCDMA or LTE network into the slot and make sure the chip side is up.

b, Connect power cable and relay follow picture 2 and picture 3.

c, Set admin number,by sending a SMS command to the SIM card inside device.

For example: admin123456 +86186***** (+86186*****should be your phone number)

d, Set APN: APN123456 CMNET (please use your local APN instead of CMNET,if you do not know the APN content,you should contact your SIM card supplier)

5,More Commands

| Function | Command Format | Reply | Delete | for example |
|----------------------|--------------------------------------|-----------------|----------------|----------------------|
| APN | apn+123456+space+content | apn ok | | apn123456 cmnet |
| | apnuser+123456+space+content | apnuser ok | | |
| | apnpasswd+123456+space+content | apnpasswd ok | | |
| admin number | admin123456+space+admin phone number | admin ok | noadmin 123456 | admin123456 186***** |
| time zone | timezone+123456+space+GMT No. | timezone ok | | timezone123456 +1 |
| time sleep | sleep123456 time | sleep time ok | | |
| shock sleep(default) | sleep123456 shock | sleep shock ok | | |
| no sleep | sleep123456 off | sleep off ok | | |
| upload frequency | upload123456+space+time | upload ok | | upload123456 120 |
| Cut and resume oil | 555 | Cut oil OK | 666 | |
| Arm&Disarm | 111 or SF | Arm delay in 0s | 000 or CF | |
| Position | G123456# or where | Google map | | |

| | | | | |
|--------------------|--------|---------------|--|--|
| Restart | rst | restart ok | | |
| Back to factory | format | No reply | | |

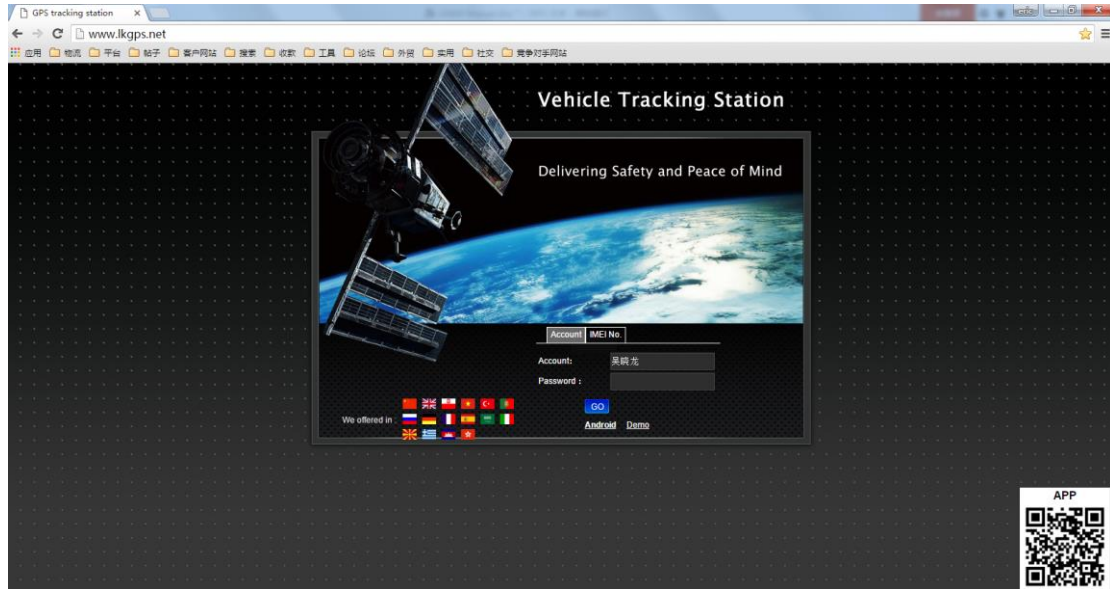
① Download phone APP



Method 1: Scan above QR to download;

Method 2: search “LKGPS2” in the app store or Google play store to download.

② Log in by website and phone APP

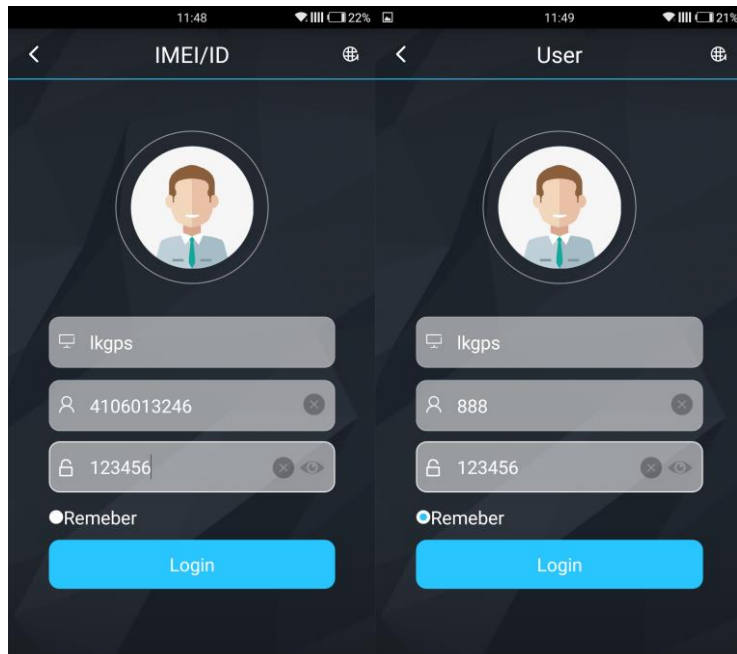


Log in by Website:

Open the website www.lkgps.net, choose IMEI, enter the 10-digit bar code of the device, the default password is 123456, click “GO” to log in into the platform.

Log in by Phone APP:

Please see the following photo:



6.Faults & The solutions

Q: Start up Fail?

A: Check the cable connect right or not.

Q: The device can not obtain location information?

A: Place the unit at the open area to test.

Q: How to choose SIM card?

A: the SIM card must support GSM&GPRS, and ensure that the card has enough currency and credit.

Q: How to use in the foreign countries?

A: please set the APN before use, please edit the text "APN123456 CMNET " and send it to the SIM card of the device, CMNET is Chinese operator's APN, Replace the corresponding APN when use in other countries, APN details, please consult your local SIM card carrier.

7.Cautions

Please comply with the instructions to extend the unit life:

1. Keep the unit dry. Any liquid, i.e. rain, moisture, may destroy or damage the inside circuitry.
2. Don't use & store the unit in dusty places.
3. Don't put the unit in overheated or over cooled places.
4. Handle carefully. Don't vibrate or shake it violently.
5. Clear the unit with a piece of dry cloth. Don't clean in chemicals, detergent.
6. Don't paint the unit, this may cause some foreign materials left in between the parts.
7. Don't disassemble or refit the unit.
8. Please use the battery and charger provided by manufacturer.
Using other batteries and chargers will cause unwanted situation.